



Ligitek Photovoltaic Co., Ltd.



FEATURES:

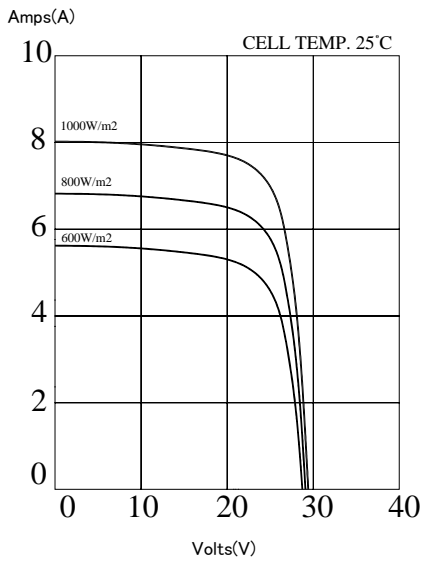
- Single crystalline silicon photovoltaic module.
- High power module using 6” mono crystalline solar cell.
- Bypass diode is attached minimize power reduction caused by shade.
- 48 solar cells and connection in series.
- Using optical low iron tempered glass, EVA resin, module for outdoor use.

LM160BA00/LM165BA00/ LM170BA00/ LM175BA00/ LM180BA00/

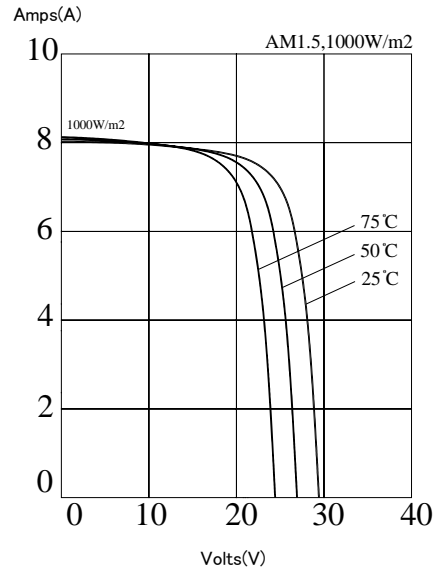
Maximum power (Pmax)	160W	165W	170W	175W	180W
Maximum power voltage (Vpm)	23.16 V	23.22 V	23.26 V	23.34 V	23.91 V
Maximum power current (Ipm)	6.91 A	7.14 A	7.33 A	7.50 A	7.53 A
Open circuit voltage (Voc)	29.08 V	29.23 V	29.37 V	29.52 V	29.66 V
Short circuit current (Isc)	7.65 A	7.87 A	8.01 A	8.15 A	8.35 A
Module efficiency (ηm)	12.3%	12.7%	13.1%	13.5%	13.8%
No. & type solar cells	48 in series/ 6”(156x156 mm) single				
Maximum system voltage	TUV:DC 1000 V/UL:DC 600 V				
Series fuse rating	15 A				
Performance tolerance	±3%				
Operating temperature	-40 to +90 °C				
Storage temperature	-40 to +90 °C				
Dimensions	1309x990x38.1 mm±1 mm/51.5”x39”x1.5”±0.04”				
Weight	14.9 kg/32.85 lbs				
Output Terminal(Tyco J-Box)	1394462-4(-)/6-1394461-2(+)				

(STC) Standard Test Conditions: 25°C, 1 kW/m², AM 1.5

ELECTRICAL CHARACTERISTICS



DEPENDENCE ON TEMPERATURE



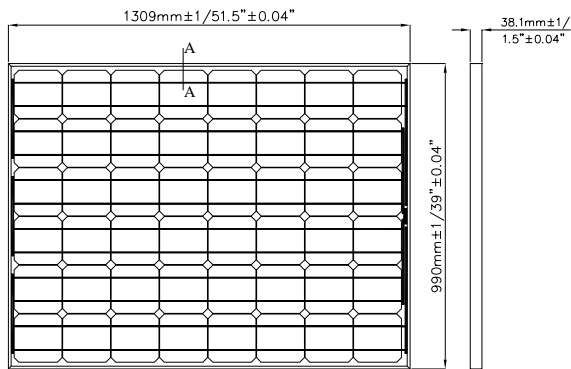
Temperature coefficient of Isc: 0.08%/°C

Power temperature coefficient: -0.38%/°C

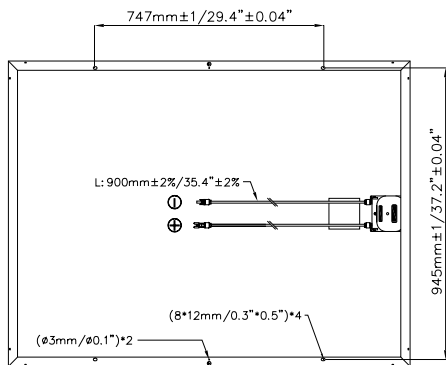
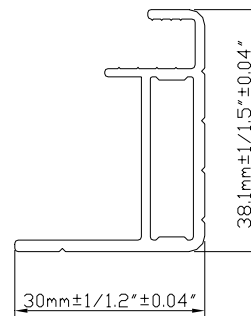
Temperature coefficient of Voc: -0.32%/°C

NOCT:46±1°C

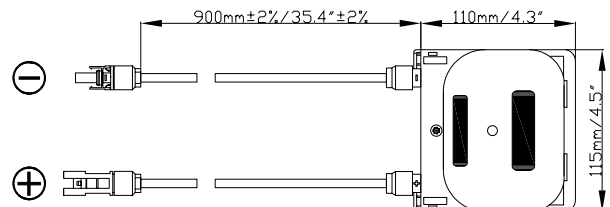
OUTLINE DIMENSIONS



Section A-A



Lead Wire



Field wiring: Cu wiring only, min. 14 AWG, insulated for 90°C min.