



Ligitek Photovoltaic Co., Ltd.



FEATURES:

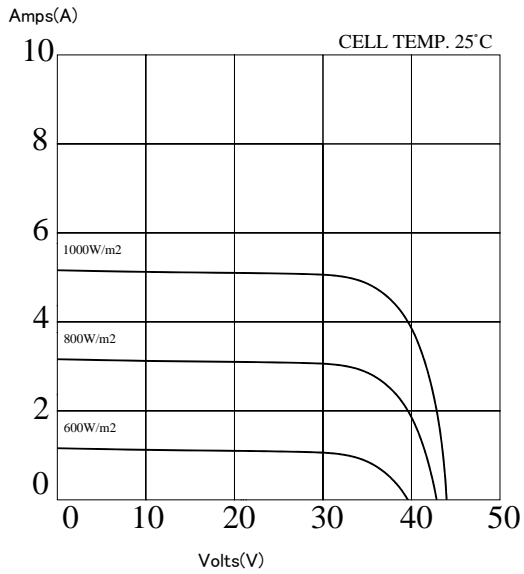
- Multicrystalline silicon photovoltaic module.
- High power module using 5” multicrystalline solar cell.
- Bypass diode is attached minimize power reduction caused by shade.
- 72 solar cells and connection in series.
- Using optical low iron tempered glass, EVA resin, module for outdoor use.

**LM160AB00/LM165AB00/ LM170AB00/ LM175AB00/ LM180AB00/
LM185AB00/**

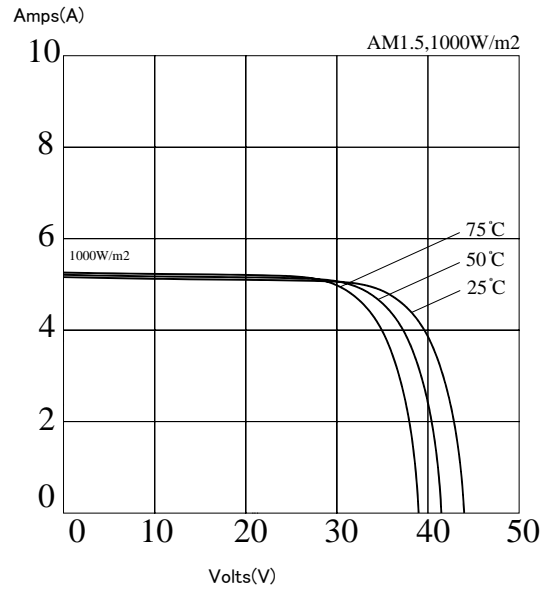
Maximum power (Pmax)	160W	165W	170W	175W	180W	185W
Maximum power voltage (Vpm)	35.20 V	35.30 V	35.40 V	35.50 V	35.58 V	35.65 V
Maximum power current (Ipm)	4.55 A	4.68 A	4.81 A	4.93 A	5.06 A	5.19 A
Open circuit voltage (Voc)	43.34 V	43.63 V	43.92 V	44.35 V	44.71 V	45.01 V
Short circuit current (Isc)	4.91 A	5.07 A	5.15 A	5.27 A	5.33 A	5.42 A
Module efficiency (ηm)	12.5%	12.9%	13.3%	13.6%	14.1%	14.4%
No. & type solar cells	72 in series/ 5”(125x125 mm) multicry					
Maximum system voltage	TUV:DC 1000 V/UL:DC 600 V					
Series fuse rating	15 A					
Performance tolerance	±3%					
Operating temperature	-40 to +90 °C					
Storage temperature	-40 to +90 °C					
Dimensions	1580x809x38.1 mm±1 mm/62.2”x31.9”x1.5”±0.04”					
Weight	14.9 kg/32.85 lbs					
Output Terminal(Tyco J-Box)	1394462-4(-)/6-1394461-2(+)					

(STC) Standard Test Conditions: 25°C, 1 kW/m², AM 1.5

ELECTRICAL CHARACTERISTICS



DEPENDENCE ON TEMPERATURE



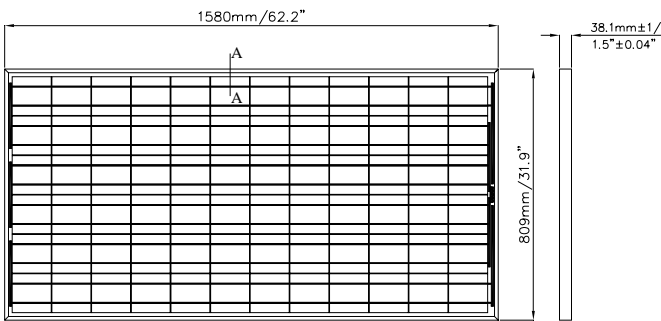
Temperature coefficient of Isc: 0.08%/°C

Power temperature coefficient: -0.38%/°C

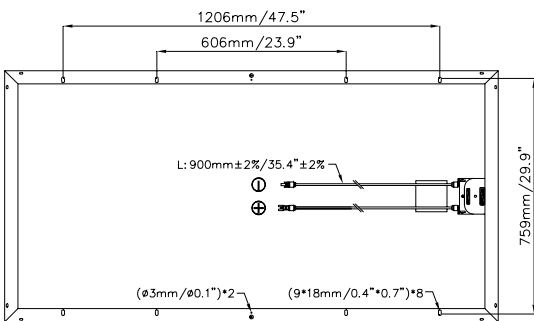
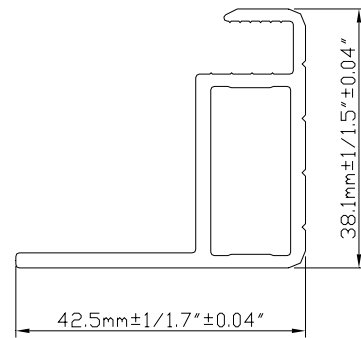
Temperature coefficient of Voc: -0.32%/°C

NOCT:46±1°C

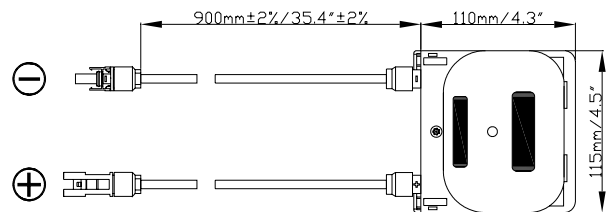
OUTLINE DIMENSIONS



Section A-A



Lead Wire



Field wiring: Cu wiring only, min. 14 AWG, insulated for 90°C min.

