



Ligitek Photovoltaic Co., Ltd.



FEATURES:

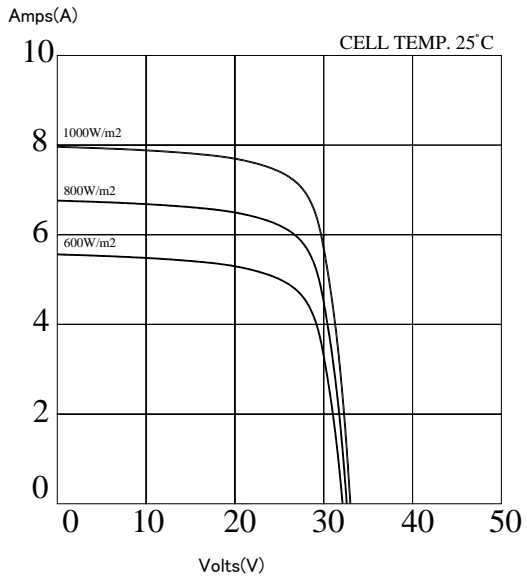
- Single crystalline silicon photovoltaic module.
- High power module using 6" mono crystalline solar cell.
- Bypass diode is attached minimize power reduction caused by shade.
- 54 solar cells and connection in series.
- Using optical low iron tempered glass, EVA resin, module for outdoor use.

LM185BA00/LM190BA00/ LM195BA00/ LM200BA02/

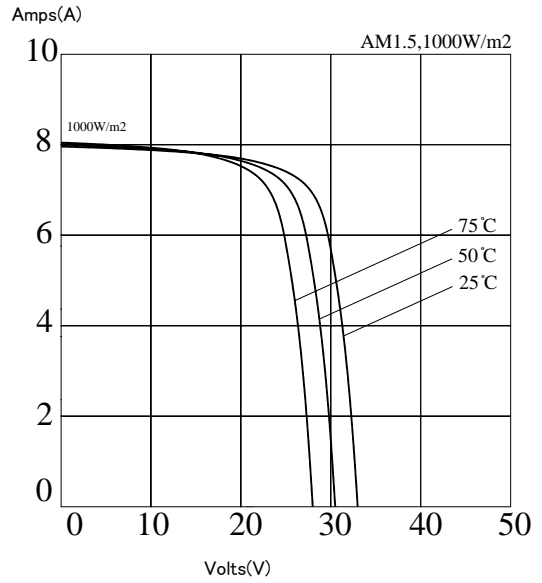
Maximum power (Pmax)	185W	190W	195W	200W
Maximum power voltage (Vpm)	25.88 V	26.25 V	26.42 V	26.60 V
Maximum power current (Ipm)	7.15 A	7.24 A	7.39 A	7.52 A
Open circuit voltage (Voc)	32.88 V	32.94 V	33.21 V	33.31 V
Short circuit current (Isc)	7.87 A	7.95 A	8.15 A	8.30 A
Module efficiency (ηm)	12.7%	13.1%	13.4%	13.8%
No. & type solar cells	54 in series/ 6"(156x156 mm) single			
Maximum system voltage	TUV:DC 1000 V/UL:DC 600 V			
Series fuse rating	15 A			
Performance tolerance	±3%			
Operating temperature	-40 to +90 °C			
Storage temperature	-40 to +90 °C			
Dimensions	1466x990x38.1 mm±1 mm/57.7"x39"x1.5"±0.04"			
Weight	18.0 kg/39.68 lbs			
Output Terminal(Tyco J-Box)	1394462-4(-)/6-1394461-2(+)			

(STC) Standard Test Conditions: 25°C, 1 kW/m², AM 1.5

ELECTRICAL CHARACTERISTICS



DEPENDENCE ON TEMPERATURE



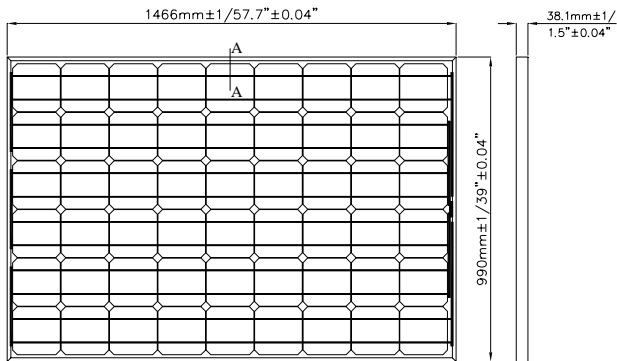
Temperature coefficient of Isc: 0.03%/°C

Power temperature coefficient: -0.29%/°C

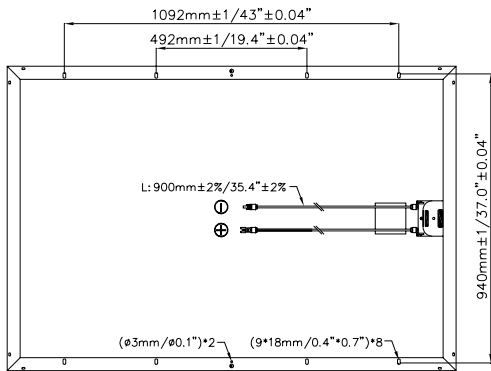
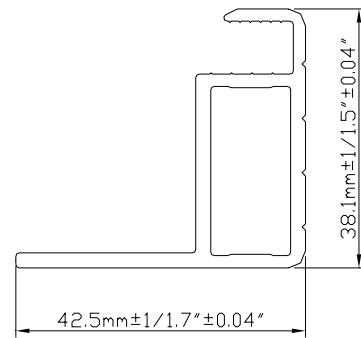
Temperature coefficient of Voc: -0.30%/°C

NOCT: 46±1°C

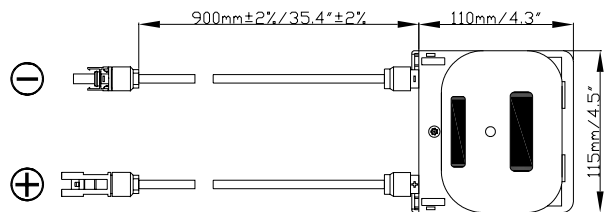
OUTLINE DIMENSIONS



Section A-A



Lead Wire



Field wiring: Cu wiring only, min. 14 AWG, insulated for 90°C min.